



SPECIFICATION

- ▼ Utilises latest LED Technology.
- ▼ Voltage range 80V-240V in one unit, additionally 12V AC/DC and 24V AC/DC available.
- ▼ Cable Entry Options include – Threaded Entry up to 2 x M32 or Flanged Spigot Entry, 2 x 25.4mm Diameter. Glands can be supplied on request.
- ▼ Clear or Frosted Glass option.
- ▼ Weight approximately 10.5kg.
- ▼ Ingress protection to IP65.
- ▼ Installation leaflet ML193102 supplied with each luminaire.

STANDARDS & CERTIFICATION

EN IEC 60079-0, EN 60079-1

ATEX Certificate No. Sira 09ATEX1328

 I M2 Ex db I Mb IP65

UKEX Certificate No. CSAE 21UKEX1316

 I M2 Ex db I Mb IP65

IECEX Certificate No. IECEX SIR09.0134

Ex db I Mb IP65

Ambient Temperature range: -20°C To +45°C

FEATURES & BENEFITS

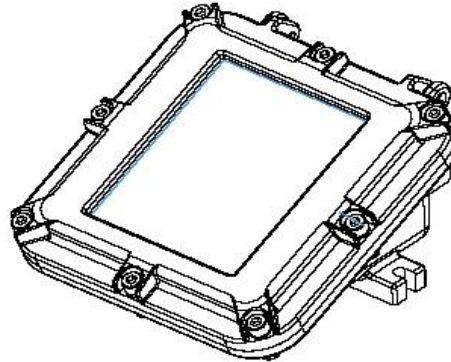
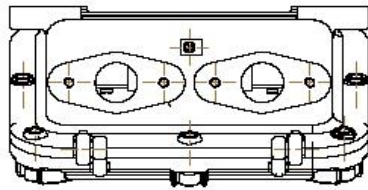
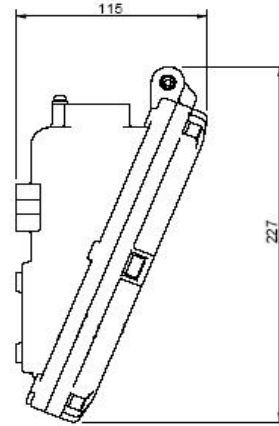
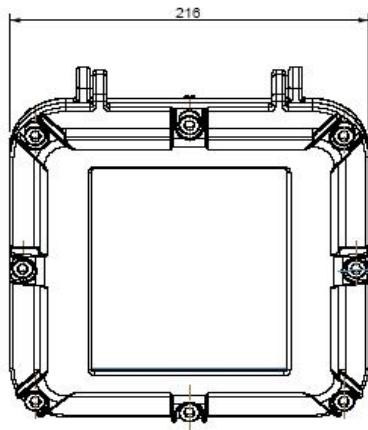
- ▼ Low Maintenance.
- ▼ Long LED Life > 100,000 hours (temperature dependant).
- ▼ High Resistance to Vibration and Shock.
- ▼ Low Power Consumption – 15W max.
- ▼ The higher voltage luminaire will operate from 80V to 240V AC/DC.
- ▼ Additional voltage options are 12V AC/DC and 24V AC/DC.
- ▼ Terminals – Up to 6mm².
- ▼ Provision for internal and external earth.
- ▼ Low profile, ideal for applications with restricted headroom.
- ▼ Also used on vehicles as area lighting.
- ▼ Hinged lampglass assembly.
- ▼ Simple installation with 2 cast mounting points for M8 fixings.



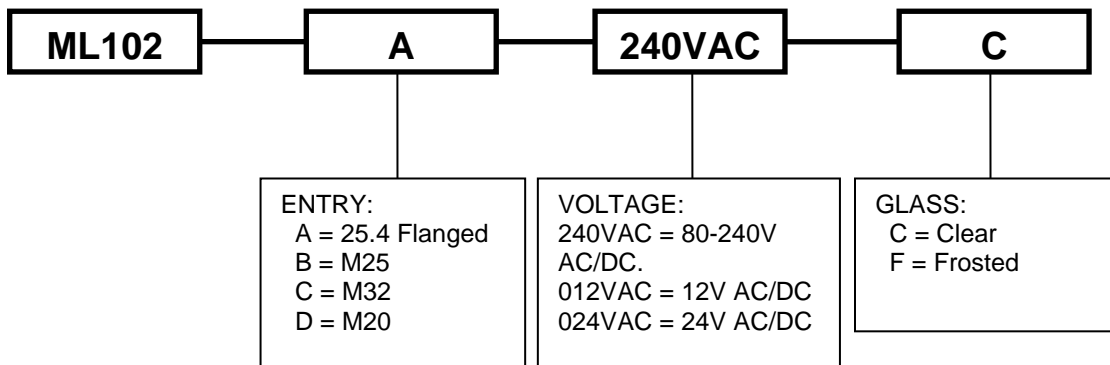


DIMENSIONS

All dimensions in millimetres.



TYPICAL ORDERING REFERENCES.



EXAMPLE: - ML102A240VACC = Mine Lighting Type ML102 for 2 x Ø25.4mm Flanged Cable Glands, for voltage ranging from 80V to 240V AC/DC, fitted with clear glass.

For more information on possible variants please contact Victor Sales:
Tel: 0191 280 8000, Email: sales@victor.co.uk



VICTOR PRODUCTS LIMITED

Unit 3A, Tyne dock East Side, Port of Tyne, South Shields NE33 5SQ United Kingdom
Tel: 0191 280 8000, Fax: 0191 280 8080 Email: sales@victor.co.uk Web: www.victor.co.uk
A Federal Signal Company

LEAFLET NO. DS001 REV 1 01/24